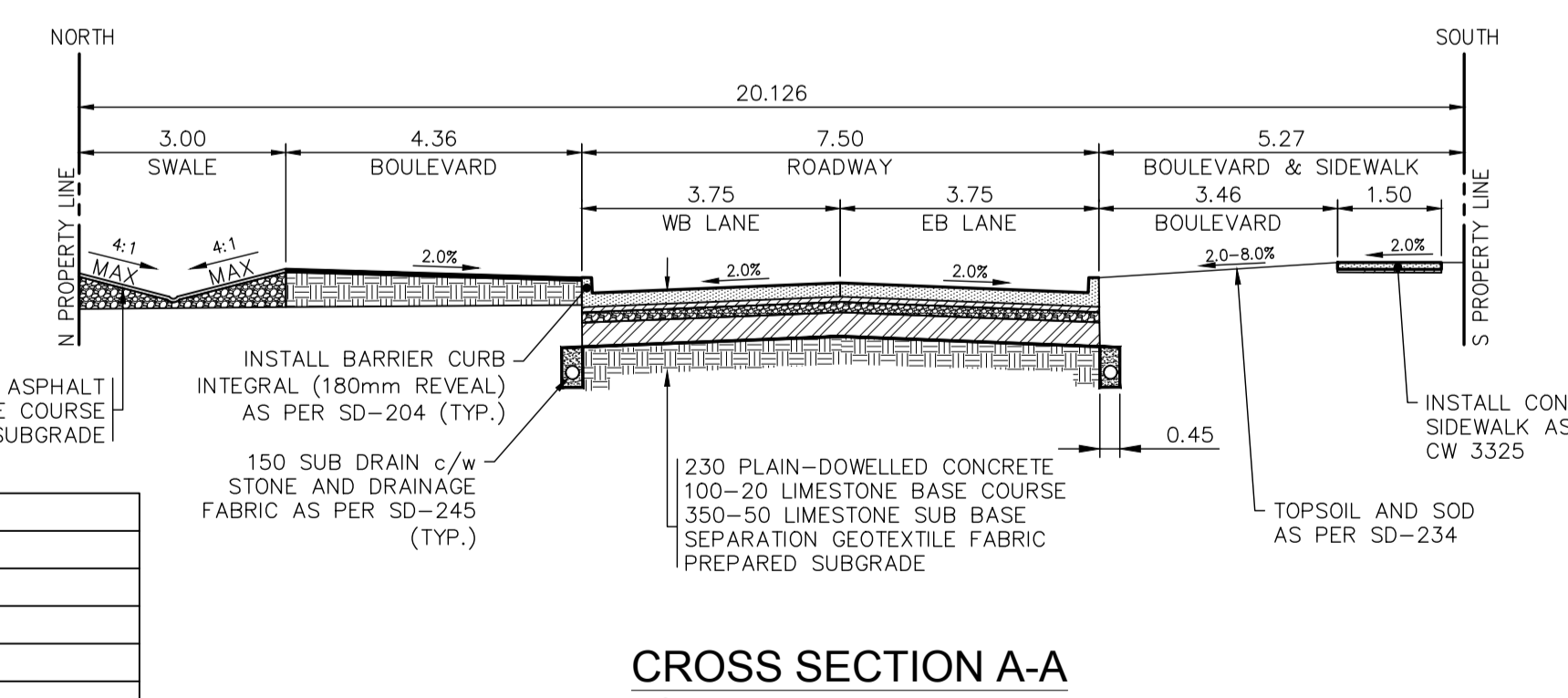


**WATERMAIN RENEWAL TO BE COMPLETED IN 2018**  
**BID OPPORTUNITY 134-2018**

**STREET LIGHTING RENEWAL TO BE COMPLETED BY MANITOBA HYDRO**

NOTE: These design documents are prepared solely for the use by the party with whom the design professional has entered into a contract and there are no representations of any kind made by the design professional to any party with whom the design professional has not entered into a contract.

EXISTING	PROPOSED	EXISTING	LEGEND-PLAN	PROPOSED	EXISTING	LEGEND-PROFILE	PROPOSED
---	---	---	WATER MAIN	---	---	---	SWALE GRADE (31.255)
---	---	---	LAND DRAINAGE SEWER	---	---	---	SLOPE
---	---	---	WASTE WATER SEWER	---	---	---	DIRECTION FLOW
---	---	---	HYDRO	---	---	---	HYDRO POLE & LIGHT STANDARD
---	---	---	M.T.S.	---	---	---	LIGHT STANDARD OR TRAFFIC SIGNAL
---	---	---	GAS	---	---	---	HYDRO POLE
---	---	---	SIGNALS	---	---	---	CURB RAMP
---	---	---	MANHOLE	---	---	---	DETECTABLE WARNING SURFACE TILE
---	---	---	CATCH BASIN	---	---	---	EDGE OF SIDEWALK
---	---	---	CURB INLET	---	---	---	FENCE
---	---	---	UTILITIES ADJUSTED	---	---	---	PROPERTY LINE
---	---	---	PLUG	---	---	---	EDGE OF ASPHALT
---	---	---	HYDRANT	---	---	---	EDGE OF CONCRETE
---	---	---	VALVE	---	---	---	MODIFIED BARRIER CURB
---	---	---	CURB STOP	---	---	---	BARRIER CURB
---	---	---	GROUND GRADE	---	---	---	CONC SIDEWALK
---	---	---	PAVEMENT GRADE (31.000)	---	---	---	CONCRETE SLAB
---	---	---	ANCHOR	---	---	---	ASPHALT OVERLAY
---	---	---	CIVIC ADDRESS	---	---	---	BULLNOSE
---	---	---	EXISTING LEGEND-PLAN	---	---	---	PROPOSED



**LOCATIONS APPROVED UNDERGROUND STRUCTURES**

SIGNED BY: \_\_\_\_\_ DATE: \_\_\_\_\_

LOCATION OF UNDERGROUND STRUCTURES AS SHOWN ARE BASED ON THE BEST INFORMATION AVAILABLE BUT NO GUARANTEE IS GIVEN THAT ALL EXISTING UTILITIES ARE SHOWN OR THAT THE GIVEN LOCATIONS ARE EXACT CONFIRMATION OF EXISTENCE AND EXACT LOCATION OF ALL SERVICES MUST BE OBTAINED FROM THE INDIVIDUAL UTILITIES BEFORE PROCEEDING

NO.	REVISIONS	DATE	BY

- NOTES:**
- ALL WORK AND MATERIALS TO BE IN ACCORDANCE WITH THE LATEST REVISION OF THE CITY OF WINNIPEG STANDARD CONSTRUCTION SPECIFICATIONS.
  - CONTRACTOR TO CONFIRM THE LOCATION OF ALL UTILITIES/SERVICES IN THE FIELD PRIOR TO CONSTRUCTION.
  - ALL ROADWAY DIMENSIONS SHOWN ARE TO BACK OF CURB.
  - ADD 200.00 TO ABBREVIATED ELEVATIONS TO OBTAIN GEODETIC ELEVATION.
  - PAVEMENT REPAIRS SHOWN ARE ONLY A REPRESENTATIVE APPROXIMATION OF THE TENDERED QUANTITIES.
  - ALL PRIVATE WALKWAYS TO BE ADJUSTED TO NEW SIDEWALK OR TOP OF CURB ELEVATION, AS REQUIRED.
  - MODIFIED BARRIER CURB TO BE CONSTRUCTED AT ALL INTERSECTION RADII AND APPROACH RADII
  - INSTALL 40MM LIP CURB THROUGH ALL APPROACHES UNLESS OTHERWISE NOTED.
  - CONTRACTORS TO TAKE PRECAUTIONARY STEPS TO PROTECT EXISTING TREES WITHIN THE LIMITS OF CONSTRUCTION FROM DAMAGE FROM CONSTRUCTION ACTIVITIES AS OUTLINED IN THE SPECIFICATIONS.
  - INSULATE ALL LONG-WATER SERVICES UNLESS OTHERWISE NOTED.
  - TRAFFIC SERVICES TO PAINT TRAFFIC LINES LANE MARKINGS (IF REQ'D).
  - CONTRACTOR TO CONFIRM LOCATION AND LIMITS OF SEWER REPAIRS BY PERFORMING VIDEO INSPECTION AND REVIEWING WITH CONTRACT ADMINISTRATOR PRIOR TO CONSTRUCTION.
  - ADJUST ALL WATER VALVES, HYDRANTS, MANHOLES, AND CATCH BASINS IN WORK AREA TO GRADE.
  - INSULATE ALL LONG-WATER SERVICES UNLESS OTHERWISE NOTED.
  - STREET LIGHTING RENEWAL TO BE COMPLETED BY MANITOBA HYDRO.
  - CONTRACTOR TO NOTIFY CONTRACT ADMINISTRATOR AND FOLLOW SOIL MANAGEMENT PLAN IF CONTAMINATED SOIL IS ENCOUNTERED DURING EXCAVATION.

**METRIC**

WHOLE NUMBERS INDICATE MILLIMETRES  
 DECIMALIZED NUMBERS INDICATE METRES

**ENGINEERS GEOSCIENTIST MANITOBA**  
 Certificate of Authorization  
 WSP Canada Group Limited  
 No. 6657

**wsp**

WSP Canada Group Limited  
 93 Lombard Ave, Suite 111  
 Winnipeg, MB R3B 3B1  
 T. 204.943.3178  
 F. 204.943.4948  
 www.wsp.com

DESIGNED BY: DS  
 CHECKED BY: TP  
 DRAWN BY: SB  
 APPROVED BY: VM

HOR SCALE: 1:250  
 VERTICAL: 1:25

ISSUED FOR TENDER: 2018-02-29 DS  
 ISSUED FOR UQS REVIEW: 2018-04-26 DS  
 ISSUE FOR CLIENT REVIEW: 2018-04-13 DS

NO. REVISIONS DATE BY

2018-02-15

**THE CITY OF WINNIPEG**  
 PUBLIC WORKS DEPARTMENT  
 ENGINEERING SERVICES DIVISION

2018/2019 INDUSTRIAL STREETS  
 RENEWAL PROGRAM  
 HIGGINS AVENUE - HENRY AVE TO PRINCESS ST  
 PAVEMENT RECONSTRUCTION  
 STA. 2+20 TO STA. 3+60

CITY DRAWING NUMBER: ---  
 SHEET: 07 OF 12  
 BID NO.: 85-2018

CONSULTANT ACAD DWG. NO.: 17M-01932-00-C07